

## **TECHNICAL ASSISTANCE**

When trouble is reported, verify there are no broken connections to the unit. Assistance in troubleshooting is available from the factory. When calling, you should have a VOM and a lineman's test set available and be calling from the job site. Call (540) 563-2000 for Technical Support or call (540) 767-1555 for Valcom 24-hour Faxback System or visit our website at <http://www.valcom.com>.

Valcom equipment is not field repairable. Valcom, Inc. maintains service facilities in Roanoke, VA. Should repairs be necessary, attach a tag to the unit clearly stating your company name, address, phone number, contact person and the nature of the problem. Send the unit to:

**Valcom, Inc.  
Repair and Return Dept.  
5614 Hollins Road  
Roanoke, VA 24019-5056**

### **VALCOM LIMITED WARRANTY**

Valcom, Inc. warrants its products to be free from defects in materials and workmanship under conditions of normal use and service for a period of one year from the date of shipment. The obligation under this warranty shall be limited to the replacement, repair or refund of any such defective device within the warranty period, provided that:

1. inspection by Valcom, Inc. indicates the validity of the claim;
2. the defect is not the result of damage, misuse or negligence after the original shipment;
3. the product has not been altered in any way or repaired by others and that factory sealed units are unopened (a service charge plus parts and labor will be applied to units defaced or physically damaged);
4. freight charges for the return of products to Valcom are prepaid;
5. all units 'out of warranty' are subject to a service charge. The service charge will cover minor repairs (major repairs will be subject to additional charges for parts and labor).

**This warranty is in lieu of and excludes all other warranties, expressed or implied, and in no event shall Valcom, Inc. be liable for any anticipated profits, consequential damages, loss of time or other losses incurred by the buyer in connection with the purchase, operation or use of the product.**

This warranty specifically excludes damage incurred in shipment. In the event a product is received in damaged condition, the carrier should be notified immediately. Claims for such damage should be filed with the carrier involved in accordance with the F.O.B. point.

Headquarters:	In Canada
Valcom, Inc.	CMX Corporation
5614 Hollins Road	35 Van Kirk Drive #11 and 12
Roanoke, VA 24019-5056	Brampton, Ontario L7A 1A5
Phone: (540) 563-2000	Phone: (905) 456-1072
FAX: (540) 362-9800	FAX: (905) 456-2269

## **INSTALLATION INSTRUCTIONS FOR**

# **VALCOM**

## **SURFACE MOUNT VANDAL RESISTANT SPEAKER**



**V-9010**

## VALCOM VANDAL RESISTANT SPEAKER

The Valcom Surface Mount Vandal Resistant Speaker, V-9010, was designed to be used in harsh environments. The speaker assembly features a steel housing, a built-in amplifier and an interior security screen with tamper resistant screws.

The steel housing is constructed of 18-gauge steel finished with a baked on powder coat urethane finish. The screen is made of 24-gauge steel to prevent sharp object from penetrating the speakers.

### SPECIFICATIONS

#### Amplifier

Power Rating: 1 Watt  
 Operating Voltage: -24VDC  
 Current: 50mA  
 Consumption:

#### Speaker

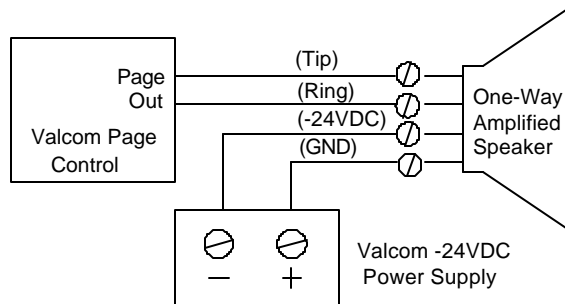
Voice Coil  
 Impedance: 45 Ohms  
 Diameter: 5.10"  
 Magnet Weight: 10 oz.  
 Magnet Material: Ceramic

#### Speaker/Amplifier

Frequency Response: 350Hz to 6.5kHz  
 Output Power: 1 Watt  
 SPL: 94dB at 1 Watt, 1 Meter

### CONNECTIONS

**NOTE: The V-9010 may be used to expand a constant voltage (25/70/100 Volt) paging system without placing an additional load on the amplifier by adding a V-1095, 70V Paging Expander. A power supply will also be required.**



### MOUNTING

After making connections to the speaker, secure the enclosure assembly to the base with four #10 stainless steel hex button head machine screws using a standard 1/8 inch hex driver.

The base of the V-9010 will mount to a standard 4-inch square or octagon-shaped electrical box or may be fastened to a wall or ceiling using screws as large as 1/4 inch. Surface wiring or conduit is routed through one of four standard knockouts.

### DIMENSIONS/WEIGHT

- 8.50" Dia. x 5.10" D (21.59cm Dia. x 12.95cm D)
- 4.8 lbs. (2.18 kg)

### TROUBLESHOOTING CHART

SYMPTOM	ACTION
1. No audio from speaker	1a. Check that volume control is turned up (clockwise). 1b. Using a lineman's test set, check for the proper audio level on the Tip and Ring leads and also at the source.
2. Low volume from speaker	2a. Check that volume control is turned up. 2b. Check voltage at the speaker assembly when in use, -18 to -24VDC required. 2c. Using a lineman's test set, check for proper audio level on Tip and Ring leads. It is possible that some low level audio will be heard with only one side of Tip and Ring connected.
3. Loud squeal (feedback)	3a. Turn down (counter-clockwise) volume of the speaker. 3b. Increase the distance between the telephone and the speaker. 3c. Install a noise canceling handset on the telephone in severe problem areas. 3d. Install a V-9962, Digital Feedback Eliminator.