

V-1038

PAGING HORN/AMPLIFIER ASSEMBLY

30 WATT -48VDC WITH VOLUME CONTROL

INTRODUCTION

This instruction provides identification, installation and technical assistance information for the V-1038 Horn/Amplifier Assembly.

This paging unit has received a FCC type KX registration and is designed to be used with FCC registered key telephone systems. In accordance with FCC rules with applicable tariffs, this Paging Unit may only be installed with the authorization of the host system. Installations may be made by Valcom, Inc., an authorized agent of the same, equipment manufacturers, telephone companies, registered telephone refurbishers and those qualified for installation of FCC registered systems under FCC Rules Section 68.215. The FCC Registration Number, BAF9I7-69358-KX-N, will be listed in the affidavits filed with the Telephone Company; it will also be recorded in the system log kept by installation and maintenance personnel.

DESCRIPTION

The V-1038 Paging Horn/Amplifier Assembly is a self-contained 30 Watt paging system incorporating:

- (a) 30 Watt amplifier
- (b) Volume control
- (c) High efficiency horn

Dimensions/Weight

- 7.38" H x 10.00" W x 10.40" D
(18.75cm H x 25.40cm W x 26.42cm D)
- 4.1 lbs. (1.86kg)

Nominal Specifications:

Input impedance:	600 Ohms minimum
Input level:	10dBm nominal
Current at -48VDC:	1 Amp

Connections:

Green	Tip	Audio Source
Red	Ring	Audio Source
White	-48VDC	Power
Black	Ground	Power



Due to the low-level signal required, distribution wiring is normally accomplished through house cable pair or station wire.

Typical applications include:

- (a) Use with a Valcom page control.
- (b) Expanding the capability of telephone system's which contain limited paging capabilities.
- (c) Loud ringer application in systems where loud speaker tone signaling is employed.

INSTALLATION

This horn may be used for either interior or exterior paging applications and should be installed 16 to 40 feet from the floor taking into account installation and maintenance access.

Connect station wire (or other suitable pairs) to the proper speaker connection. When using station wire, limit the maximum run to 250 feet. Two horns may be connected to the same pairs if the total run is less than 125 feet.

When a remote power unit is used, the audio pair run should be limited to 5000 feet and a maximum of 6 horns.

The volume control is factory pre-set approximately mid-way. As the system is put in operation, the individual volume controls may be readjusted as necessary.

By loosening the knob on the base approximately four turns, the horn may be rotated or moved up and down to obtain the desired position.

TECHNICAL ASSISTANCE

When trouble is reported, verify that power is being supplied to the unit and there are no broken connections. Check voltages for proper polarity on the crossconnect block.

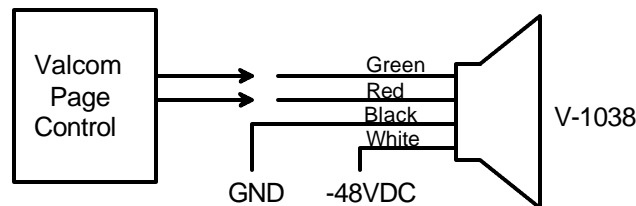
Assistance in troubleshooting is available from the factory. When calling, you should have a VOM, a

telephone test set, and several clip leads available and be calling from the job site. Call (540) 563-2000 and ask for Technical Support, or call (540) 767-1555 for Valcom 24-hour Faxback System or visit our website at <http://www.valcom.com>.

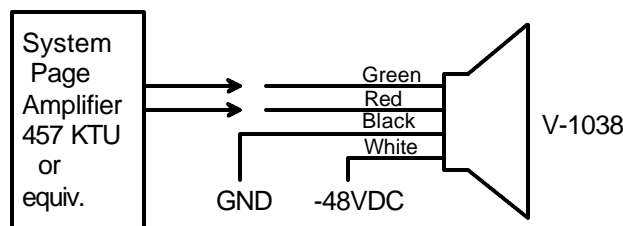
Valcom equipment is not field repairable. Valcom, Inc. maintains service facilities in Roanoke, VA. Should repairs be necessary, attach a tag to the unit clearly stating company name, address, phone number, contact person and the nature of the problem. Send the unit to:

Valcom, Inc.
Repair and Return Dept.
5614 Hollins Road
Roanoke, VA 24019-5056

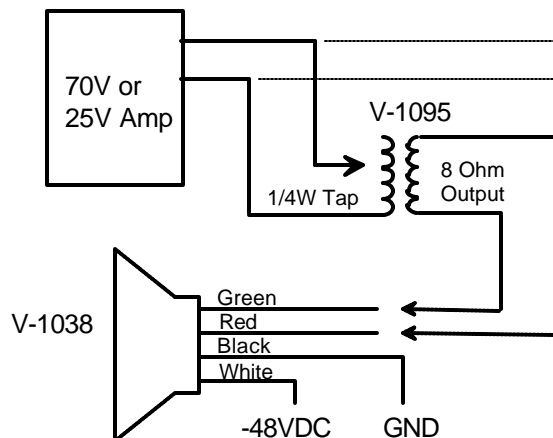
Used in conjunction with the Valcom Page Control



Used to expand loudspeaker paging capabilities



Used to expand existing 70 volt paging systems



TROUBLESHOOTING CHART

PROBLEMS	PROBABLE CAUSES AND CORRECTIONS
No Sound	<ol style="list-style-type: none"> 1. Check that volume control is turned up. 2. Check presence of -48VDC and GND. 3. Make sure the WHT wire is connected to -48VDC. 4. Using a lineman's test set, check for the proper audio level on the T & R leads, and if necessary also at the source.
Low Volume	<ol style="list-style-type: none"> 1. Check that volume control is turned up. 2. Check voltage at the horn when in use: -40 to -50 Volts required. 3. Using a lineman's test set, check for the proper audio level on the T & R leads - it is possible that some sound will be heard with only one side of Tip and Ring.
Loud Squeal (feedback)	<ol style="list-style-type: none"> 1. Lower volume of speaker. 2. Aim horn in different direction. 3. Move horn to location further from phone. 4. Install confidencer on phone in severe problem area.

VALCOM LIMITED WARRANTY

Valcom, Inc. warrants its products to be free from defects in materials and workmanship under conditions of normal use and service for a period of one year from the date of shipment. The obligation under this warranty shall be limited to the replacement, repair or refund of any such defective device within the warranty period, provided that:

1. inspection by Valcom, Inc. indicates the validity of the claim,
2. the defect is not the result of damage, misuse, or negligence after the original shipment,
3. the product has not been altered in any way or repaired by others and that factory sealed units are unopened (A service charge plus parts and labor will be applied to units defaced or physically damaged),
4. freight charges for the return of products to Valcom are prepaid,
5. all units 'out of warranty' are subject to a service charge. The service charge will cover minor repairs (Major repairs will be subject to additional charges for parts and labor).

This warranty is in lieu of and excludes all other warranties, expressed or implied, and in no event shall Valcom, Inc. be liable for any anticipated profits, consequential damages, loss of time or other losses incurred by the buyer in connection with the purchase, operation, or use of the product.

This warranty specifically excludes damage incurred in shipment. In the event a product is received in damaged condition, the carrier should be notified immediately. Claims for such damage should be filed with the carrier involved in accordance with the F.O.B. point.

Headquarters:
Valcom, Inc.
5614 Hollins Road
Roanoke, VA 24019-5056
Phone: (540) 563-2000
FAX: (540) 362-9800

In Canada
CMX Corporation
35 Van Kirk Drive #11 and 12
Brampton, Ontario L7A1A5
Phone: (905) 456-1072
FAX: (905) 456-2269