

## TECHNICAL ASSISTANCE

When trouble is reported, verify there are no broken connections to the unit. Assistance in troubleshooting is available from the factory. When calling, you should have a VOM and a lineman's test set available and be calling from the job site. Call (540) 563-2000 and ask for Technical Support, or call (540) 767-1555 for Valcom 24-hour Faxback System or visit our website at <http://www.valcom.com>.

Valcom equipment is not field repairable. Valcom, Inc. maintains service facilities in Roanoke, VA. Should repairs be necessary, attach a tag to the unit clearly stating your company name, address, phone number, contact person, and the nature of the problem. Send the unit to:

**Valcom, Inc.  
Repair and Return Dept.  
5614 Hollins Road  
Roanoke, VA 24019-5056**

### VALCOM LIMITED WARRANTY

Valcom, Inc. warrants its products to be free from defects in materials and workmanship under conditions of normal use and service for a period of one year from the date of shipment. The obligation under this warranty shall be limited to the replacement, repair or refund of any such defective device within the warranty period, provided that:

1. Inspection by Valcom, Inc. indicates the validity of the claim,
2. the defect is not the result of damage, misuse, or negligence after the original shipment,
3. the product has not been altered in any way or repaired by others and that factory sealed units are unopened (A service charge plus parts and labor will be applied to units defaced or physically damaged),
4. freight charges for the return of products to Valcom are prepaid,
5. all units 'out of warranty' are subject to a service charge. The service charge will cover minor repairs (Major repairs will be subject to additional charges for parts and labor).

**This warranty is in lieu of and excludes all other warranties, expressed or implied, and in no event shall Valcom, Inc. be liable for any anticipated profits, consequential damages, loss of time or other losses incurred by the buyer in connection with the purchase, operation or use of the product.**

This warranty specifically excludes damage incurred in shipment. In the event a product is received in damaged condition, the carrier should be notified immediately. Claims for such damage should be filed with the carrier involved in accordance with the F.O.B. point.

Headquarters:  
Valcom, Inc.  
5614 Hollins Road  
Roanoke, VA 24019-5056  
Phone: (540) 563-2000  
FAX: (540) 362-9800

In Canada:  
CMX Corporation  
35 Van Kirk Drive #11 and 12  
Brampton, Ontario L7A1A5  
Phone: (905) 456-1072  
FAX: (905) 456-2269

## INSTALLATION INSTRUCTIONS FOR



## AMPLIFIED TRACK STYLE SPEAKERS



## MODEL NO. V-1013B AND V-1014B

## VALCOM ONE-WAY AMPLIFIED TRACK STYLE SPEAKERS

Valcom Track Style Speakers, V-1013B (one-watt) and V-1014B (five-watt), are weather resistant, self-amplified and provide voice paging as well as background music. These speakers have externally accessible volume controls that are adjustable by a screwdriver through the hole in the grille and are available in white, black and gray.

Model V-1013B-W	White	Model V-1014B-W
Model V-1013B-BK	Black	Model V-1014B-BK
Model V-1013B-GY	Gray	Model V-1014B-GY

### DIMENSIONS/WEIGHT

- **V-1013B**- 5.80" Dia. x 8.80" H (14.73cm Dia. x 22.35cm H)
- 2.5 lbs. (1.13kg)
- **V-1014B**- 5.80" Dia. x 8.80" H (14.73cm Dia. x 22.35cm H)
- 3.1 lbs. (1.41kg)

The V-1013B requires -24VDC, 50mA (1 Valcom Power Unit) and the V-1014B requires -24VDC, 300mA (6 Power Units).

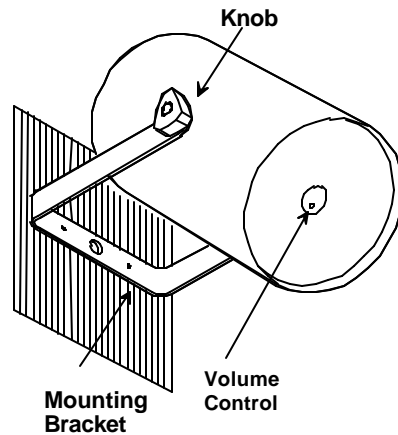


FIGURE 1

**Note:** *DO NOT connect this speaker directly to a 25/70/100 Volt amplifier as damage to both the amplifier and speaker may occur.*

### INSTALLATION

1. Mount the bracket.
2. Remove knobs and mount speaker to bracket.
3. Attach knobs and position at the desired angle. Tighten knobs (See Figure 1).  
Typical coverage of these speakers is 600 square feet with good quality paging heard up to thirty feet in front of the speaker. Speakers should be spaced approximately twenty feet apart. The five-watt version is recommended for higher noise level areas.

## CONNECTIONS

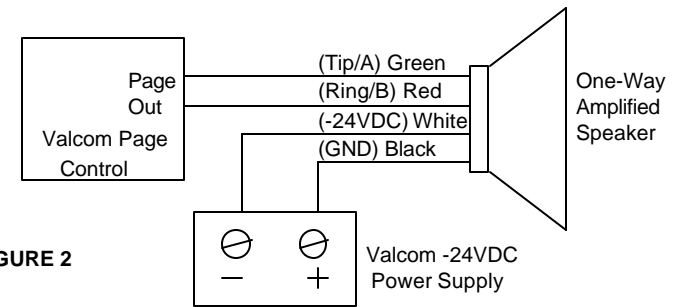


FIGURE 2

### Recommended Quantity of Speakers per Specific Power Run

<i>Speakers per Power Run</i>		<i>Wire Run Length (Feet)</i>	
V-1013B	V-1014B	24AWG	22AWG
15	2	250	400
7	1	500	800
3	0	1000	1600

### TROUBLESHOOTING CHART

<b>SYMPTOMS</b>	<b>ACTIONS</b>
No audio from speaker	<ol style="list-style-type: none"> <li>1. Verify volume control is turned up (clockwise).</li> <li>2. Using a lineman's test set, check for proper audio level at Tip and Ring leads and if necessary at the source.</li> </ol>
Low volume from speaker	<ol style="list-style-type: none"> <li>1. Verify volume control is turned up.</li> <li>2. Check voltage at the speaker when in use, (-18 to -24VDC required).</li> <li>3. Using a lineman's test set, check for proper audio level on Tip and Ring leads. It is possible that some low, level audio will be heard with only one side of Tip and Ring connected.</li> </ol>
Loud squeal (feedback)	<ol style="list-style-type: none"> <li>1. Decrease volume of speaker (counterclockwise).</li> <li>2. Increase the distance between telephone and speaker.</li> <li>3. Install confidencer on the telephone in severe problem areas.</li> </ol>